

MODEL BETA 58® SUPERCARDIOID DYNAMIC VOCAL MICROPHONE



OVERVIEW

The Shure BETA 58A is a high-output supercardioid dynamic vocal microphone designed for professional sound reinforcement and project studio recording. It maintains a true supercardioid pattern throughout its frequency range. This insures high gain before feedback, maximum isolation from other sound sources, and minimum off-axis tone coloration. The BETA 58A has a

shaped frequency response that is ideal for close-up vocals. The superb performance of this microphone is not affected by rough handling because of its rugged construction, proven shock mount system, and hardened steel mesh grille. Typical applications for the BETA 58A include lead vocals, backup vocals and speech.

FEATURES

- Frequency response tailored for vocals, with brightened midrange and bass rolloff to control proximity effect
- Uniform supercardioid pattern for high gain before feedback and superior rejection of off-axis sound
- Neodymium magnet for high signal-to-noise output
- Hardened steel mesh grille that resists wear and abuse
- Advanced pneumatic shock mount system that minimizes transmission of mechanical noise and vibration
- Minimally effected by varying load impedance
- Legendary Shure quality and reliability

SPECIFICATIONS

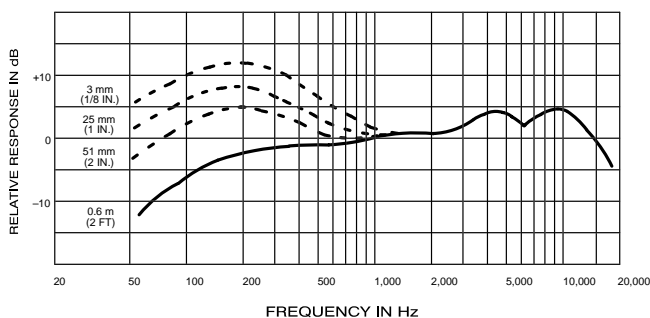
Type

Dynamic (moving coil)

Frequency Response

50 to 16,000 Hz (see Figure 2)

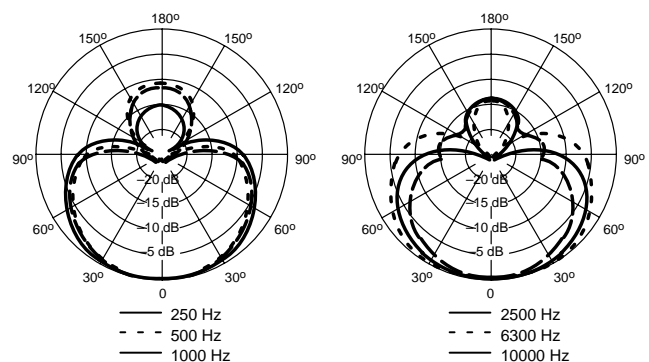
NOTE: The curve below shows on-axis response at a distance of 2 feet from a uniform sound source. Your response may vary, depending on microphone position.



TYPICAL FREQUENCY RESPONSE

Polar Pattern

Supercardioid, rotationally symmetrical about microphone axis, uniform with frequency (see Figure 3)



TYPICAL POLAR PATTERNS

Output Level (at 1,000 Hz)

Open Circuit Voltage: -51.5 dBV/Pa^* (2.6 mV)

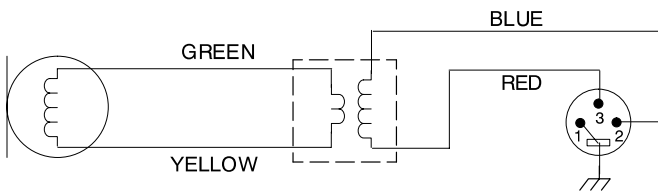
*1 Pa = 94 dB SPL

Impedance

Rated impedance is 150Ω (290 Ω actual) for connection to microphone inputs rated low Z

Phasing

Positive pressure on diaphragm produces positive voltage on pin 2 with respect to pin 3. See Figure 4.



INTERNAL WIRING

Case

Silver blue enamel painted die cast metal with hardened,

FURNISHED ACCESSORIES

- Adjustable Stand Adapter A25D
- 5/8" to 3/8" (Euro) Thread Adapter 95A2050
- Cartridge R176

REPLACEMENT PARTS

- Grille Assembly RK265G
- Plug (Connector) Assembly 90F1984
- Storage Bag 26A21

OPTIONAL ACCESSORIES

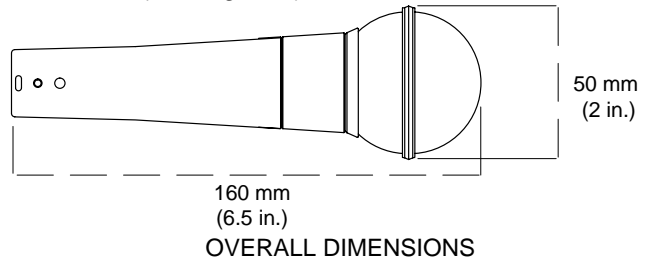
- Windscreen A58WS Series (8 colors available)
- Isolation Mount A55M, A55HM
- 7.6 m (25 ft.) Cable C25E, C25F

matte-finished, spherical steel mesh grille

Adjustable, Stand Adapter

Slip-in microphone mounting, unbreakable, adjustable through 180° with standard 5/8"-27 thread, black finish

Dimensions (See Figure 5)



OVERALL DIMENSIONS

Net Weight

278 grams (9.92 oz)