

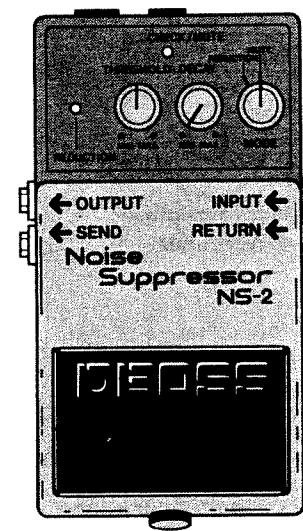
BOSS

NS-2

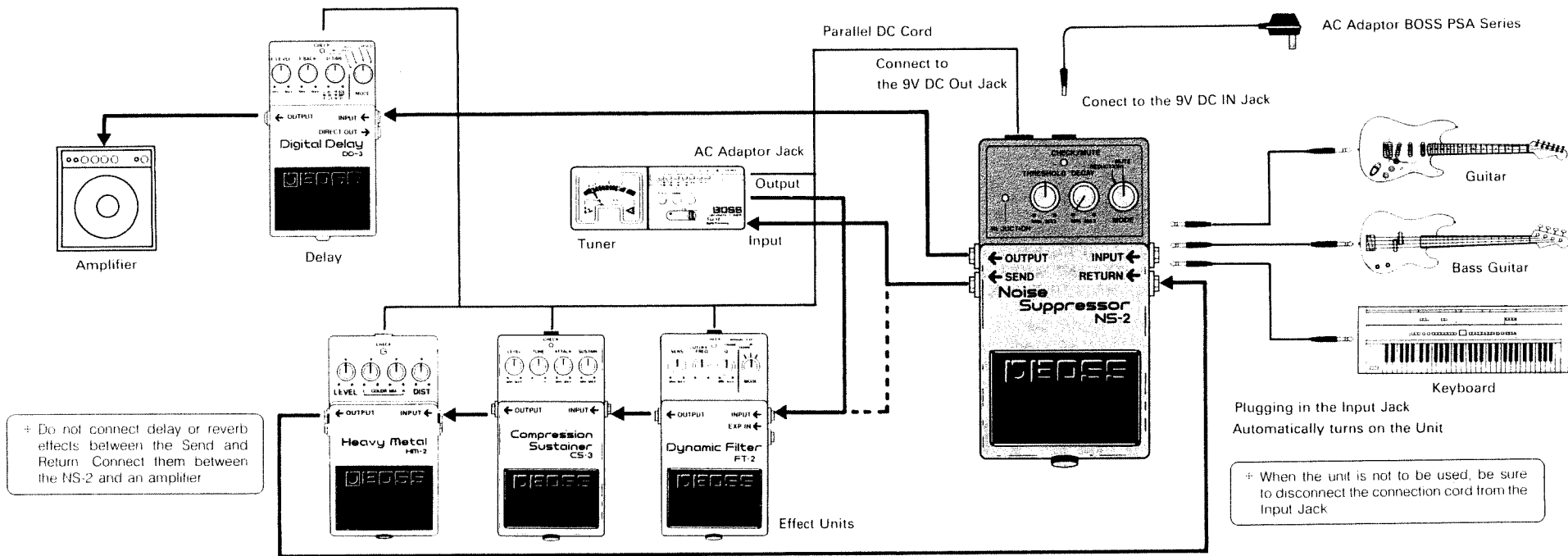
Noise Suppressor

INSTRUCTIONS

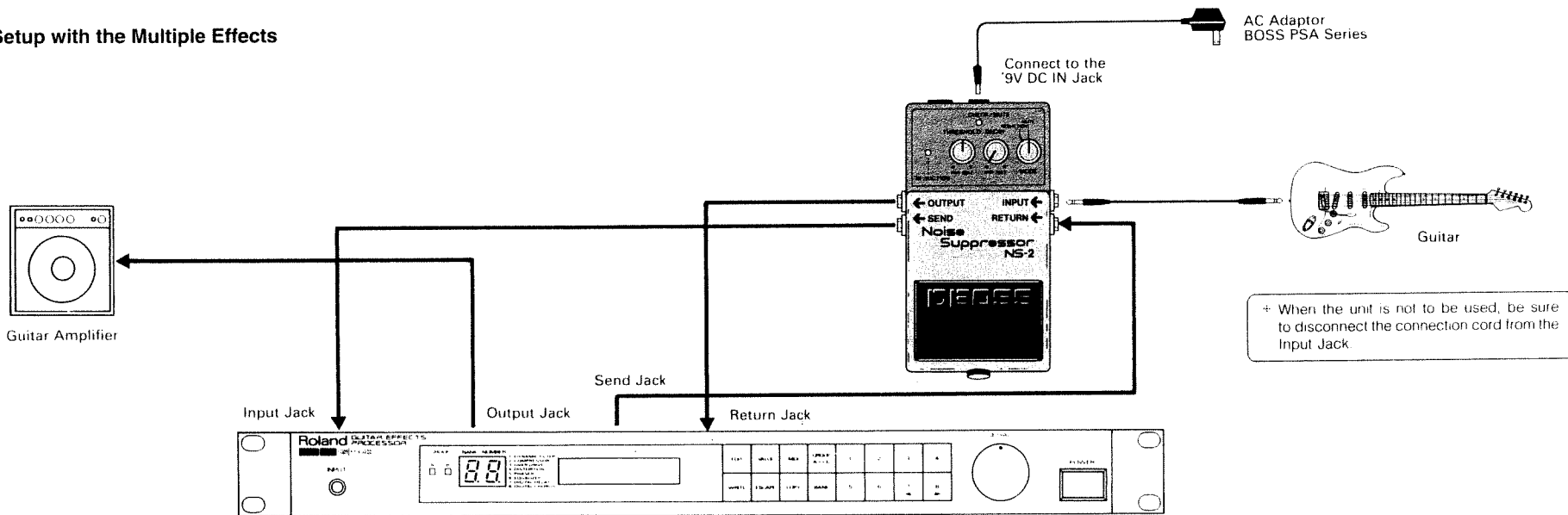
- The BOSS NS-2 is a completely new type noise suppressor that features the SEND and RETURN jacks.
- The NS-2 can detect the instrument signal separately from the noise comes from each effect unit connected between the SEND and RETURN. This makes it possible to reduce the noise of each effect unit whether it is turned on or off.
- Different from the past noise suppressing system, the NS-2 features a high-quality VCA and high-speed envelope-detecting circuits, and the expander starts its function when the volume of the instrument becomes lower than the threshold level. Therefore, natural noise reducing effect is obtained without deteriorating the sound quality and expression.
- The NS-2 works as a noise-gate unit, cutting the noise and hum that occur between song intervals or at break.
- You can use the Pedal Switch effectively as a mute-switch when tuning or changing guitars, as well as for a Normal/Effect switch.
- The 9V DC OUT Jack is provided to connect to the optional Parallel DC Cord (PCS-20A) for supplying power to the other 9V effect units.



CONNECTIONS



Setup with the Multiple Effects

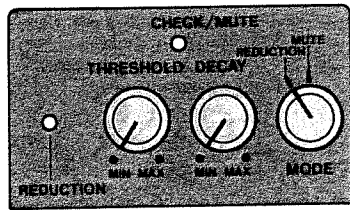


OPERATION

① Make all the necessary connections.

* You can also set up the NS-2 at the end of the other effects, but the example setup may be more effective.

② Set the controls on the panel as shown below



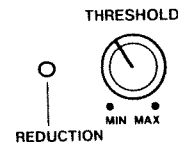
③ Push the Pedal Switch and make sure the Check Indicator lights up.

* When the Check Indicator is lit, Noise Reduction is On and when it is dark, Normal



④ Turn on the effect device to be used, then set the Threshold Knob so that the Reduction Indicator will light while not playing and the noise will not be heard.

* Try making the decay toward the end sound natural.

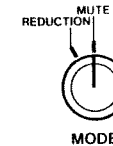


⑤ Normally, set the Decay Knob to the MIN position, but if the sound does not fade out naturally, rotate it clockwise.



⑥ Set the Mode Selector Switch to REDUCTION or MUTE.

* REDUCTION position allows you to select Normal or Reduction, and the MUTE position allows you to keep Reduction on and use Mute occasionally.



For EU Countries
This product complies with the requirements of
European Directive 89/336/EEC.

PANEL DESCRIPTION

1 9V DC OUT Jack

When an AC adaptor is connected to the 9V DC IN Jack and a Parallel DC Cord PCS-20A is connected to this 9V DC OUT Jack, power supply to the other 9V effect devices is possible.

* When being operated on battery, the unit cannot supply power to the connected device.

* When using the PSA Adaptor, be sure the total current draw does not exceed 200mA, and when using the RPW-7, 700mA



2 CHECK/MUTE Indicator

This indicator lights when the effect (Noise reduction or Mute whichever selected) is on.

* This indicator also serves as battery check. When it becomes dimmer or does not light at all, battery replacement is required.

3 THRESHOLD Knob

This sets the threshold level where the noise suppression starts working. Adjust it depending on the signal level and noise level, and when too low, counterclockwise.

4 REDUCTION Indicator

This indicator is lit when the noise reduction function is being engaged.

5 OUTPUT Jack

This is to connect to an amplifier.

6 SEND Jack

Through this jack, the input signal is sent to external effect devices.

7 9V DC IN Jack

This is to connect to an AC adaptor (BOSS PSA-120, 220 or 240) or the Power Supply (BOSS RPW-7).

For long and secure operation, use an AC adaptor.

8 DECAY Knob

This sets the time needed for the sound to fade out when the input signal becomes lower than the set threshold level. Rotating it clockwise makes the decay time longer. Normally, set this to the MIN position.

9 MODE Selector Switch

This selects the Reduction or Mute mode.

CHECK MUTE INDICATOR	Dark (OFF)	Light (ON)
MODE		
REDUCTION	Normal	Reduction
MUTE	Reduction	Mute on

10 INPUT Jack

Connect an electronic/electric musical instrument such as a guitar.

* Plugging in this jack automatically turns the unit on, so disconnect the cord from the jack when the unit is not in use.

11 RETURN Jack

This is where the signals from the effect units are returned.

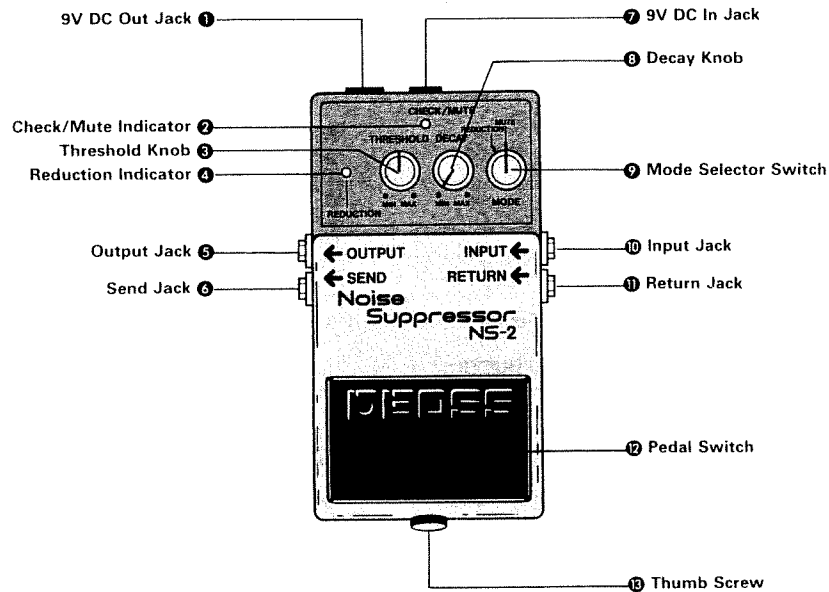
12 Pedal Switch

By pressing the pedal, effect ON/OFF (Normal/Reduction in the Reduction mode, and Reduction/Mute in the Mute mode) can be controlled

13 Thumb Screw

Loosen the screw to open the cover for battery replacement.

* Do not remove the screw from the cover, or you may lose it.



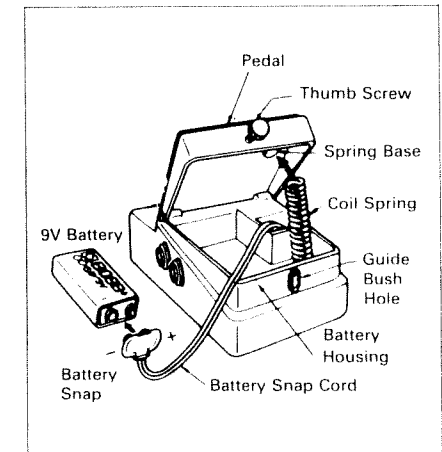
BATTERY REPLACEMENT

- Loosen the screw on the pedal to open it.
- Take out the battery from the battery housing and disconnect the battery snap.
- Connect the battery snap to a new battery and replace it to the battery housing.
- Place the coil spring to the spring base and close the pedal.

* Make sure that the battery snap is not caught in the pedal or coil spring.

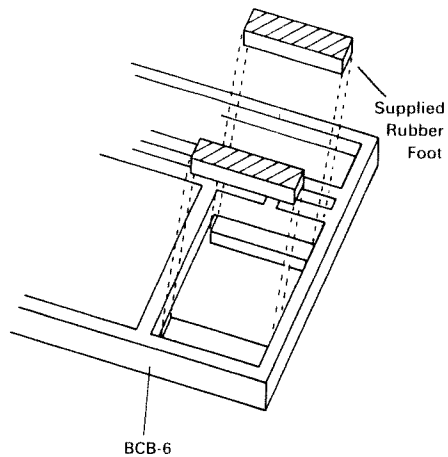
- Insert the screw into the pedal guide and firmly tighten the screw.

▷ Use one 9-volt battery.



■ IMPORTANT NOTES

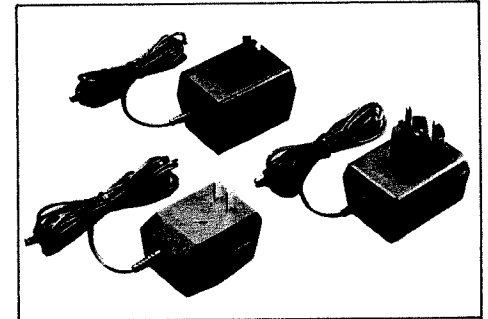
- To place the NS-2 in the BOSS Carrying Box BCB-6, you need to attach the supplied rubber feet to the BCB-6 shown below.



- A manganese battery will last for about 5 hours. This depends on the kind of the battery and how you use the unit.
- If the battery voltage drops (the Check/Mute Indicator becomes dimmer), various symptoms are shown, such as the effect becomes weak, no sound is produced, etc. To prevent that, replace the battery immediately.
- When the unit is not to be used for a long period of time, remove the battery to prevent problems caused by battery leakage.
- Plugging in the Input Jack automatically turns on the unit. So disconnect the cord from the Input Jack when the unit is not in use.
- Avoid using this unit in extreme heat or humidity, or where it may be affected by dust.

■ AC ADAPTOR

- Be sure to use the AC Adaptor BOSS PSA-120, 220 or 240 depending on the line voltage system in your country.
- Do not use the same socket used for any noise generating or large power consuming device such as a motor, variable lighting system, etc.
- Connect the AC adaptor to the 9V DC IN jack on the unit first, then to the socket.
- Be sure to keep the battery securely connected even while using the AC adaptor, then the unit will continue to operate even if the AC adaptor cord comes out during performance.
- When the unit is not in use, disconnect the AC adaptor from the socket.



■ SPECIFICATIONS

Power Supply	DC 9 V; Dry battery (6F22/9V), AC Adaptor (PSA-series: Option)
Current Draw	20 mA (DC 9V)
Controls	Threshold, Decay
Switches	Mode (Reduction/Mute), Effect ON/OFF
Indicators	CHECK/MUTE Indicator (serves also as battery check indicator), Reduction
Jacks	Input, Return, Output, Send, 9V DC IN, 9V DC OUT
Residual Noise.....	-110 dBu or less (IHF-A, Typ.)
Input Impedance	1 M Ω
Output Load Impedance...	10 k Ω or greater
Dimensions	73 (W) x 129 (D) x 59 (H) mm 2-7/8 (W) x 5-1/8 (D) x 2-3/8 (H) inches
Weight	400 g / 14 oz (including battery)
Accessories	Instructions, Dry Battery; 6F22/9V (Carbon), Rubber Feet x2 (For BCB-6), Leaflet ("USING THE UNIT SAFELY," "IMPORTANT NOTES," and "Information")
Options	BOSS AC Adaptor PSA-Series, Roland DC-DC Pulg PCS-25, Roland Paralled Cord PCS-20A

* 0 dBu = 0.775 Vrms

* In the interest of product improvement, the specifications and/or appearance of this unit are subject to change without prior notice.

Copyright © BOSS CORPORATION

All rights reserved. No part of this publication may be reproduced in any form without the written permission of BOSS CORPORATION.

Printed in Taiwan 2003-02-D3-3C G601723302

 **BOSS**[®]
BOSS Corporation

 **Roland**[®]

G601723302

UPC G601723302



:0901